



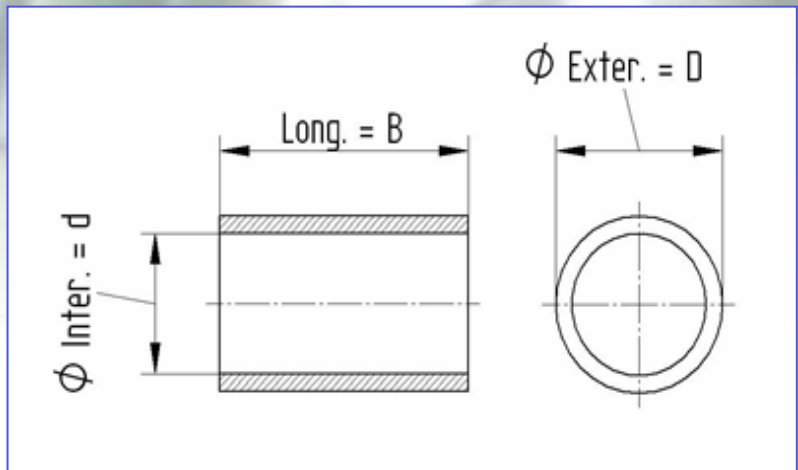
Bushing Steel range



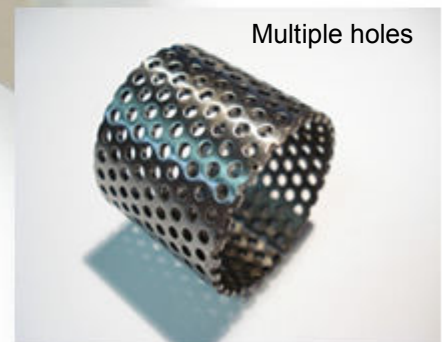
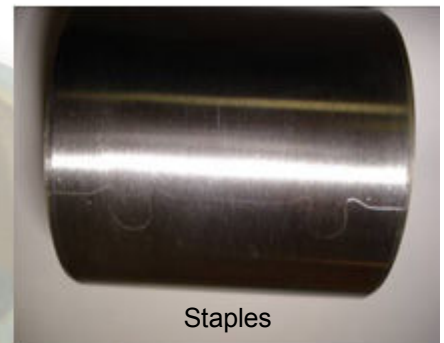
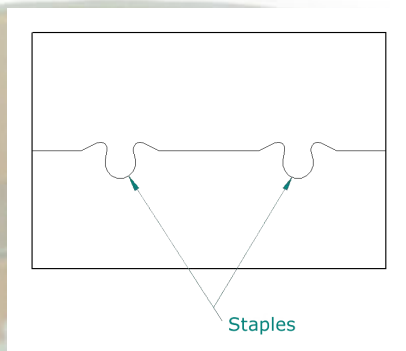
Description	
Manufacture of bushings in steel for articulations	
Properties	Options
Treated steel Hardness between 500 and 1200 HV	Machining of holes, staples, flanges on demand Treatment: DLC (Diamond Like Carbon) Hardness : 1600 HV Coefficient of friction ≤ 0.1

Dimensions

Dimensions			Dimensions		
d	D	B	d	D	B
mm			mm		
20	23	20	60	65	40
22	25	10	60	65	60
22	25	15	70	75	40
22	25	20	70	75	60
25	28	20	80	85	40
25	28	25	80	85	60
30	34	15	90	95	60
30	34	25	90	95	90
35	39	25	100	105	60
35	39	40	100	105	90
40	45	20	110	115	60
40	45	25	110	115	90
40	45	40	120	125	60
45	50	25	120	125	90
45	50	40	125	130	60
50	55	25	125	130	90
50	55	40	130	135	60
55	60	30	130	135	90
55	60	40	140	145	60
			140	145	90
			150	155	60
			150	155	90
			160	165	60
			160	165	90
			180	185	60
			180	185	90



Other dimensions on demand



ISO 9001

